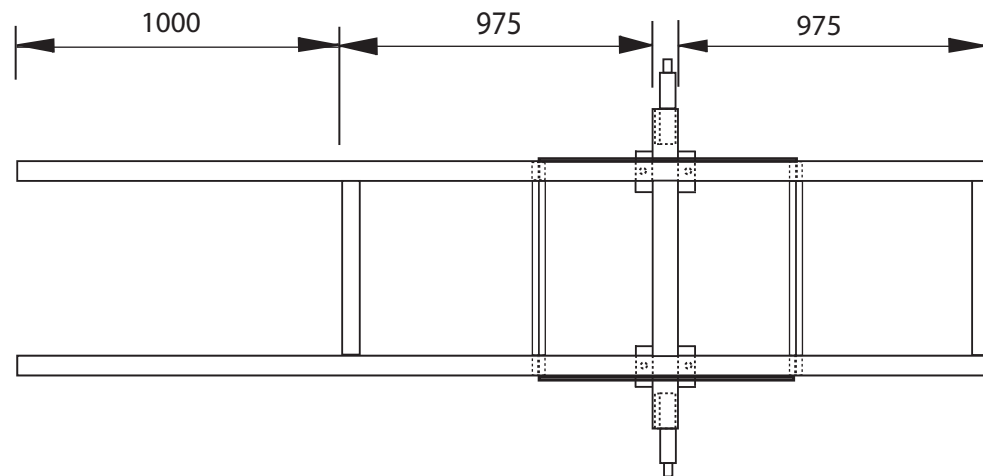
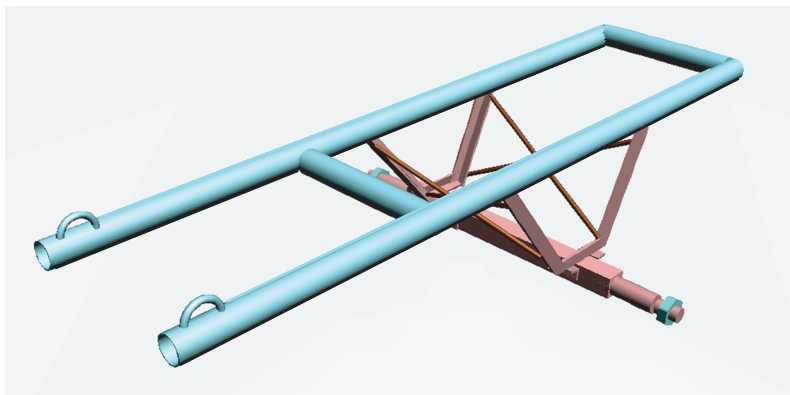
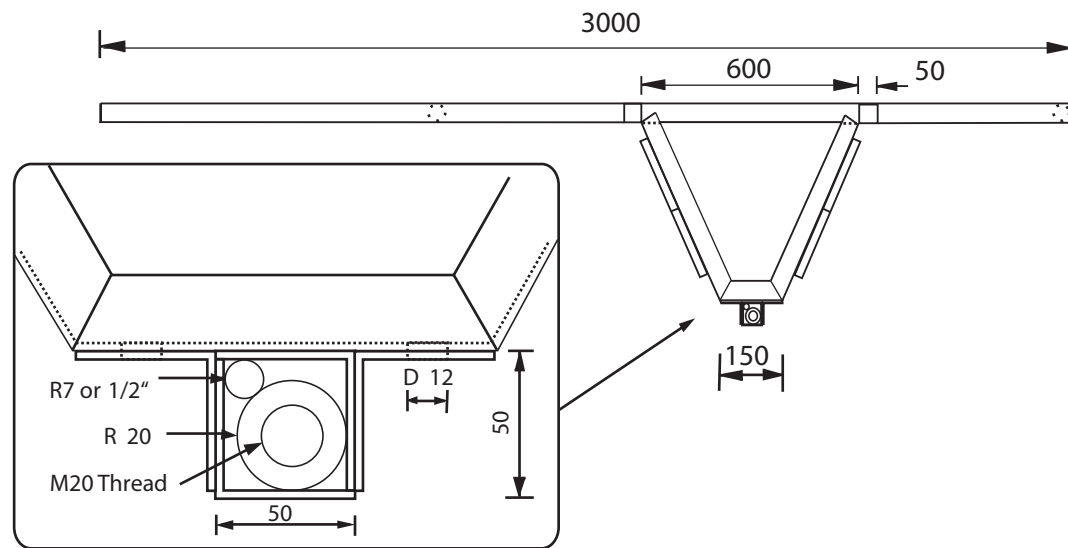



Note: This shaft with threaded end can be made from an M20 bolt with the bolt head removed



Drawn by Kemal Gindeel	Date: 28 <sup>th</sup> Jan 2008	All Dimensions in mm	Khartoum Office, Sudan	
The Donkey Cart Frame and Axle				Drawing No: DC - 01