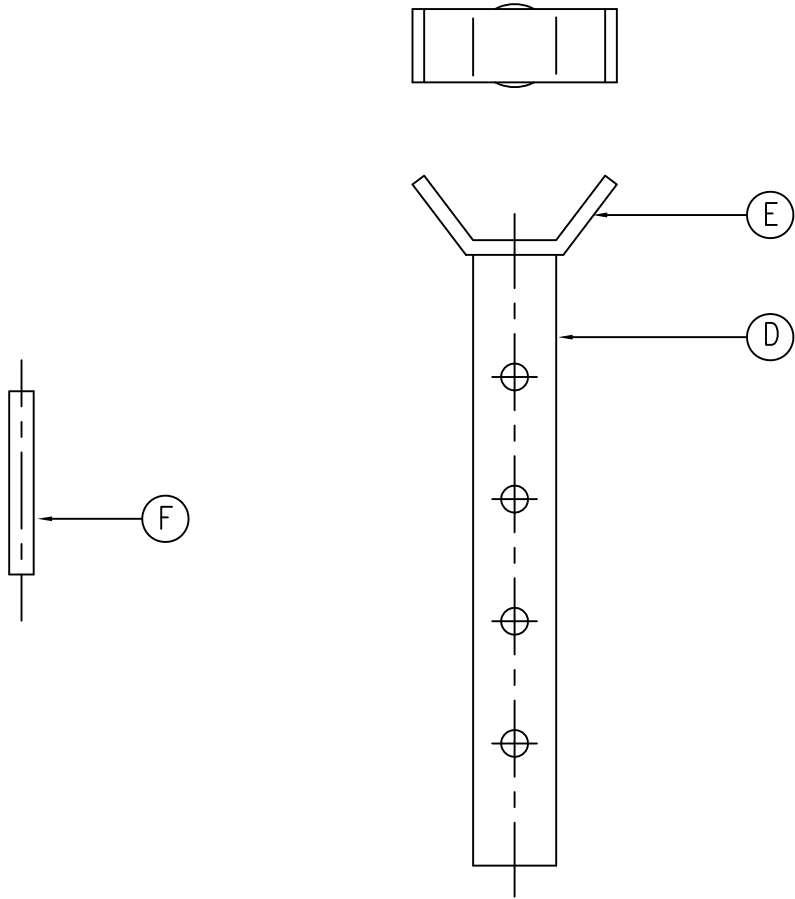


ApT ENGINEERS AXLE STAND	
TITLE: BASE	
SCALE: 1:3	
DRAWN: ABATEC	PAGE: 1 of 3
CAD No: APT-11-1	

No.	DESCRIPTION	QUANTITY	DIMENSIONS
A	TUBE	1	36mm INSIDE DIAMETER x 50 LONG
B	ANGLE	3	25 x 25 x 3 x 280 LONG
C	FLAT	3	20 x 3 x 170 LONG
D	TUBE	1	34 OUT DIAMETER x 250 LONG
E	FLAT	1	30 x 6 x 100 LONG
F	ROUND BAR	1	10 x 75 LONG

ApT AXLE STAND	
TITLE: PARTS LIST	
SCALE:	
DRAWN: ABATEC	PAGE: 2 of 3
CAD No: APT-11-2	



ApT ENGINEERS AXLE STAND	
TITLE: SHAFT AND PIN	
SCALE: 1:3	
DRAWN: ABATEC	PAGE: 1 of 3
CAD No: APT-11-3	